

- Device classification: Class 1
- Duration: Temporary (rule 1)
- ANSM registration No: FR/CA01/0004344V
- GMDN code: 30 110

*Applied rule (annex IX)*

- Non-Invasive (regulation 5 # 1)
- Non active therapeutical device
- Non surgical
- Non active medical device
- Non active device for diagnosis

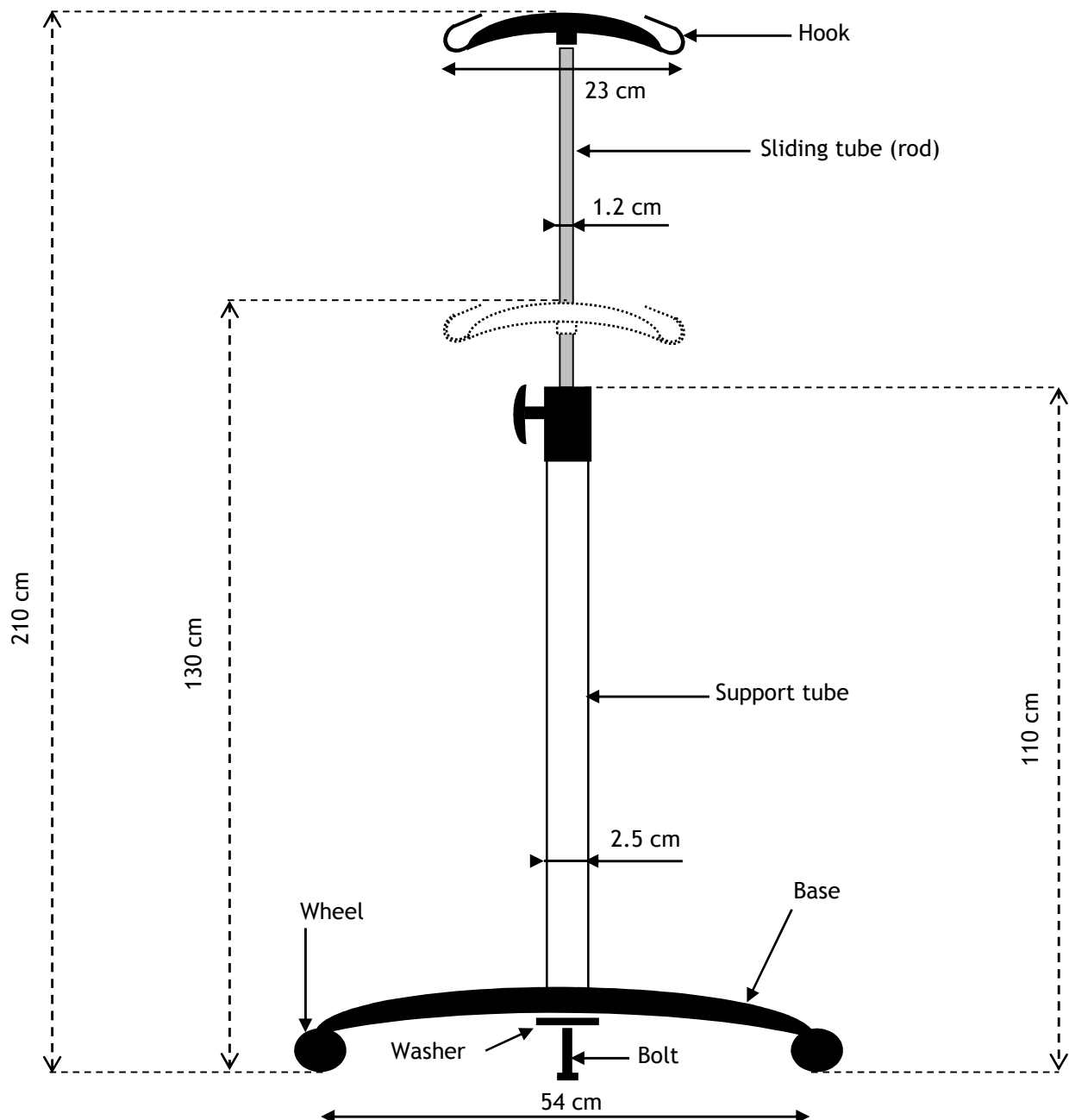
<i>General description</i>	Mobile infusion foot with hooks (2 or 4 plastic or stainless steel hooks) and 5-footed base, for carrying infusion bags or pouches.	
<i>Attachments</i>	Yes	Diagram + user instructions + parts list
<i>Batch reference</i>	No	
<i>Connected device</i>	No	
<i>Single use device</i>	No	
<i>Sterile device</i>	No	
<i>Sterilisation</i>	No	
<i>Autoclavable</i>	No	
<i>Cleaning</i>	Yes	With a product that does not attack stainless steel or plastic in addition to soapy water or a disinfectant detergent.
<i>Unsuitable substance</i>	Products that attack stainless steel, polyamide, and plastic	
<i>Component parts</i>	Yes	<b>Rod:</b> Steel, white lacquered supporting rod measuring 1000mm x Ø25mm x 1.2mm. Telescopic rod in AISI 304 quality stainless steel, polishing to a 220 grit level, dimensions 1200mm x Ø16mm x 1mm. <b>Base:</b> 5 feet in 20% fibreglass with polyamide caster wheels, 2 with clamps. <b>Bottle holder:</b> 2 or 4 plastic hooks.
<i>Material</i>	Telescopic rod in stainless steel, supporting rod in white steel, base in polyamide, bottle holder in nylon	
<i>Contains latex</i>	No	
<i>Labelling</i>	Yes	CE/MOD/NAME thermal printed at the top of the supporting rod
<i>Packaging</i>	Yes	Single or multi-pack box
<i>Special packaging</i>	No	
<i>Marking on medical device</i>	No	See label
<i>References</i>	45 420 02B	45 420 04B
<i>Designation</i>	2 plastic hooks	4 plastic hooks
<i>Dimensions (cm)</i>	Appendix 1	
<i>Net weight</i>	2740	2750
<i>Temperature resistance (C°)</i>	Max = + 40, Min = -5	
<i>Load weight (kg)</i>	Maximum: 2kg per hook	
<i>Usage</i>	For hanging infusion bags or pouches.	
<i>Instruction for use</i>	Attach the infusion bottles or pouches to the hooks and adjust to the desired height using the telescopic rod, then tighten using the knob. If necessary, lock the stand in place by applying the wheel clamps (2).	
<i>Precautions for use</i>	The hooks can hold a maximum weight of 2kg. The maximum height is 2100mm. Ensure the floor surface is flat and at a gradient of less than 5.7° (10%) in order to prevent toppling. Never lift with pouches attached. Always extend the base by using the rod, holding it 25mm from the locking screw.	
<i>Recycling/Recovery</i>	No/In metal waste containers.	
<i>WEEE/REACH</i>	No/No	
<i>Safety data</i>	R-Phrases = None      Combination phrases = None	
<i>Applicable standards</i>	NF EN ISO 9001 : 2015 ;      NF EN ISO 13485 : 2012 NF EN 1041 : 2008 + A1 : 2013      NF EN ISO 14971 : 2013 NF EN ISO 15223-1 : 2012      NF ISO 15223-2 : 2010	

ANNEX 1:

**WHITE LACQUERED INFUSION FOOT  
2 PLASTIC HOOKS**

REF 45 420 02B

To assemble, insert the rod with the black tip into the 5-footed base and fix in place using the bolt, placing the washer underneath the frame. Clean the two rods with a cleaning product before using for the first time. 2 lockable wheels are provided.



## WHITE LACQUERED INFUSION FOOT 4 PLASTIC HOOKS

REF 45 420 04B

To assemble, insert the rod with the black tip into the 5-footed base and fix in place using the bolt, placing the washer underneath the frame. Clean the two rods with a cleaning product before using for the first time. 2 lockable wheels are provided.

