



<i>General Description</i>	Natural wooden vertical or horizontal measuring rod with a runner. Wall fastening or base frame.		
<i>Joint pieces</i>	No		
<i>Batch reference</i>	No		
<i>Sterilization</i>	No		
<i>Autoclavable</i>	No		
<i>Clean-up</i>	Yes	With soapy water or a little cleaner	
<i>Harmful substance(s)</i>	Products attacking wood or celluloid varnish		
<i>Constituent pieces</i>	Yes	Rods, base frame, runner and wooden securing wedge	
<i>Materials</i>	Wooden, beech or hornbeam, with natural celluloid varnish, PV paint		
<i>Standard of manufacture</i>	Derived from forest under the control of PEFC N° 1031821, wood quality 05123.		
<i>Labeling</i>	No		
<i>Packaging</i>	Yes	Wrapped in paper and in a box	
<i>Special storage requirements</i>	Yes	In a clean, dry place	
<i>Length of life</i>	Short		
<i>Markings</i>	Yes	Scale	
<i>References + Updates</i>	44 445 00	44 446 00	44 447 00-41-42-44-46
<i>Title</i>	Wooden wall-fastened measuring rod	Wooden measuring rod on base frame	Wooden baby measuring rod
<i>Dimensions Length x Width x Height (mm)+- 3mm</i>	See appendix 2	See appendix 3	See appendix 1
<i>Maximum Resistance</i>	-	> 200 KG	-
<i>Temperature Resistance (°C)</i>	-10 à +40 °C		
<i>Net weight (g)+- 1%</i>	814	2418	1028

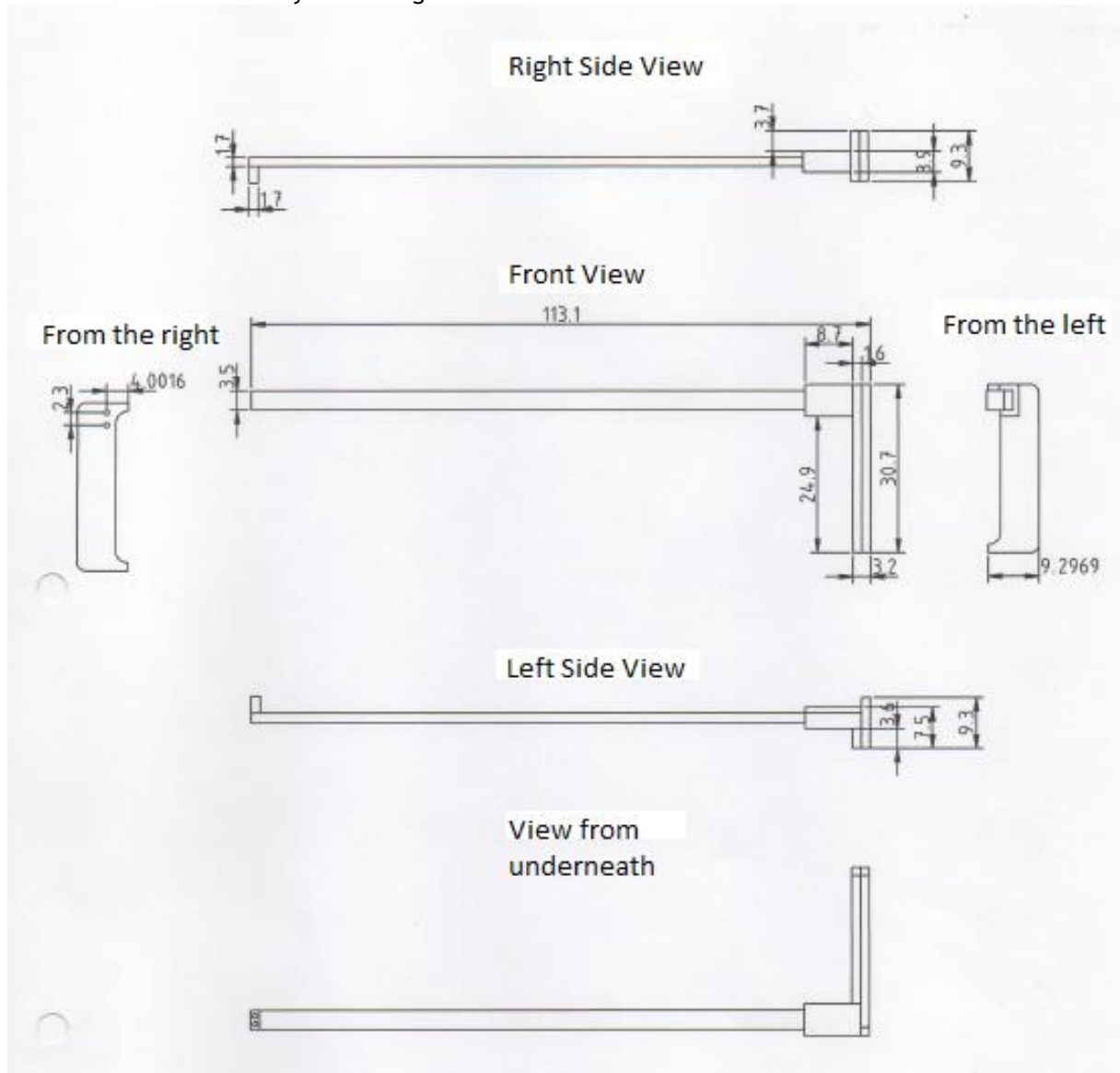
Writer : Marion KLEIN
Function : AQ
Initials : MK

COMED SAS
8 rue Louise Michel
67200 STRASBOURG - France
www.comed.fr

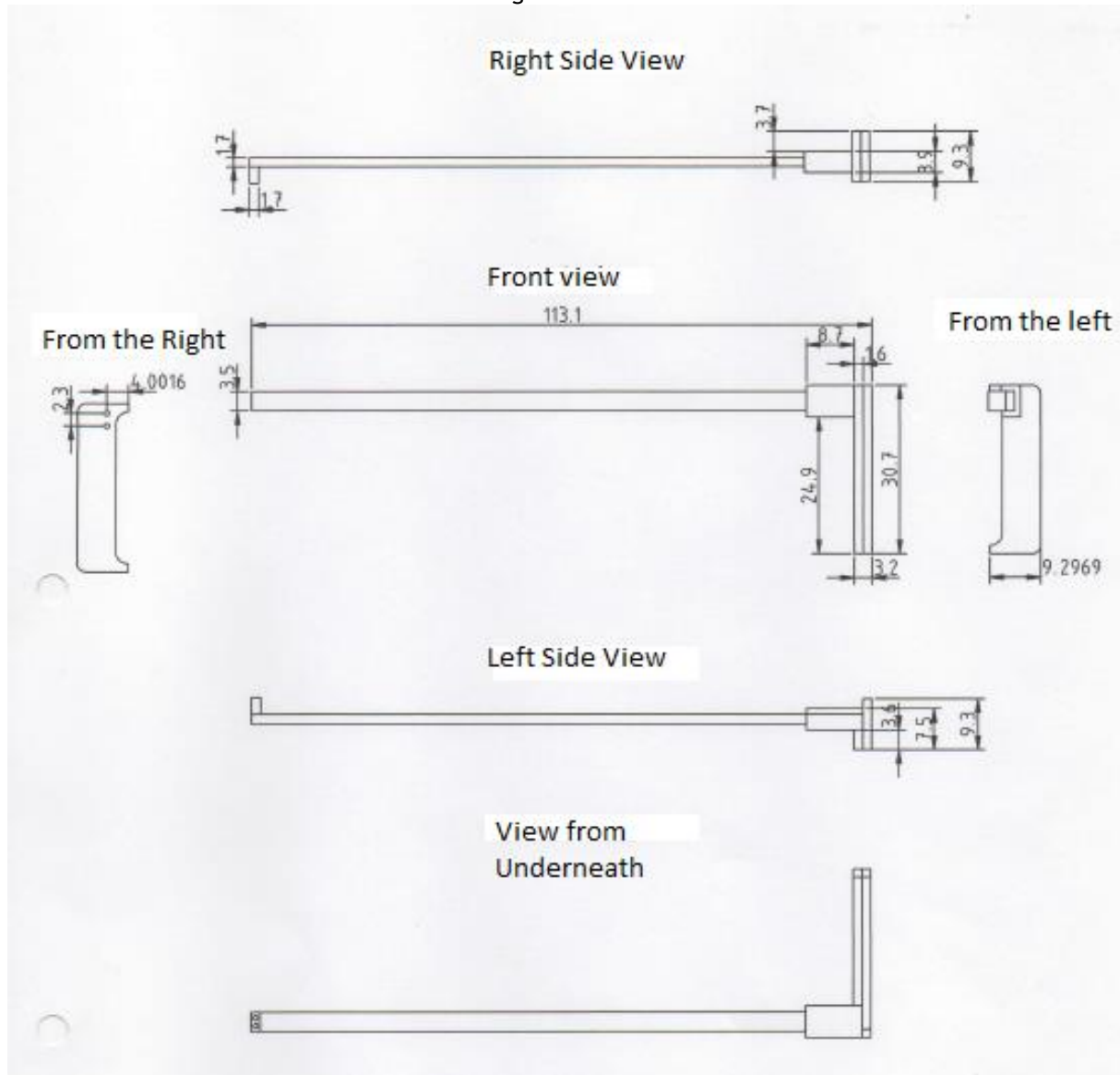
<i>Colors</i>	Natural wood	Natural wood	44 447 00 : wood ; 44 447 41 : blue ; 44 447 42 : yellow ; 44 447 44 : grey ; 44 447 46 : blanc
<i>Measuring rod marking</i>	Class III, J10, LS 211007 2m	Class III, F99 211007, 2m	Class III, J10, LS 211007 2m
<i>Measurement range</i>	200 cm	200 cm	100 cm
<i>Graduation</i>	5 mm		
<i>Usage</i>	Tool allowing the measurement of a human body's height.		
<i>Precautions for use and/or warning for single use</i>	Verify well that rod is fastened to wall, risk of falling		
<i>Recycling</i>	Yes		
<i>Recuperation</i>	In wooden containers		
<i>Latex/ Antistatic</i>	No/No		
<i>DEEE/REACH</i>	No/No		
<i>Phthalates/PVC</i>	No/No		
<i>RoHs</i>	No		
<i>Security Data</i>	Risk Phrases = Invalid Combination of phrases = Invalid		

No CE marking: This item is not registered as a Class I medical device, Directive 93/42/CEE. The measuring function within the meaning of that Directive has not been selected, because this function does not conform to a medical purpose/aim, or to a medical claim. Knowing someone's size, with this scale's tolerance (class III: +/- six-tenths of a millimeter), does not provide a liable measure able to be used for therapeutic ends or for diagnoses. This is only a non-comparative indication of the person's morphology, for example, their weight. This instrument should not, therefore, be used for the purpose of metrological measures resulting in diagnoses.

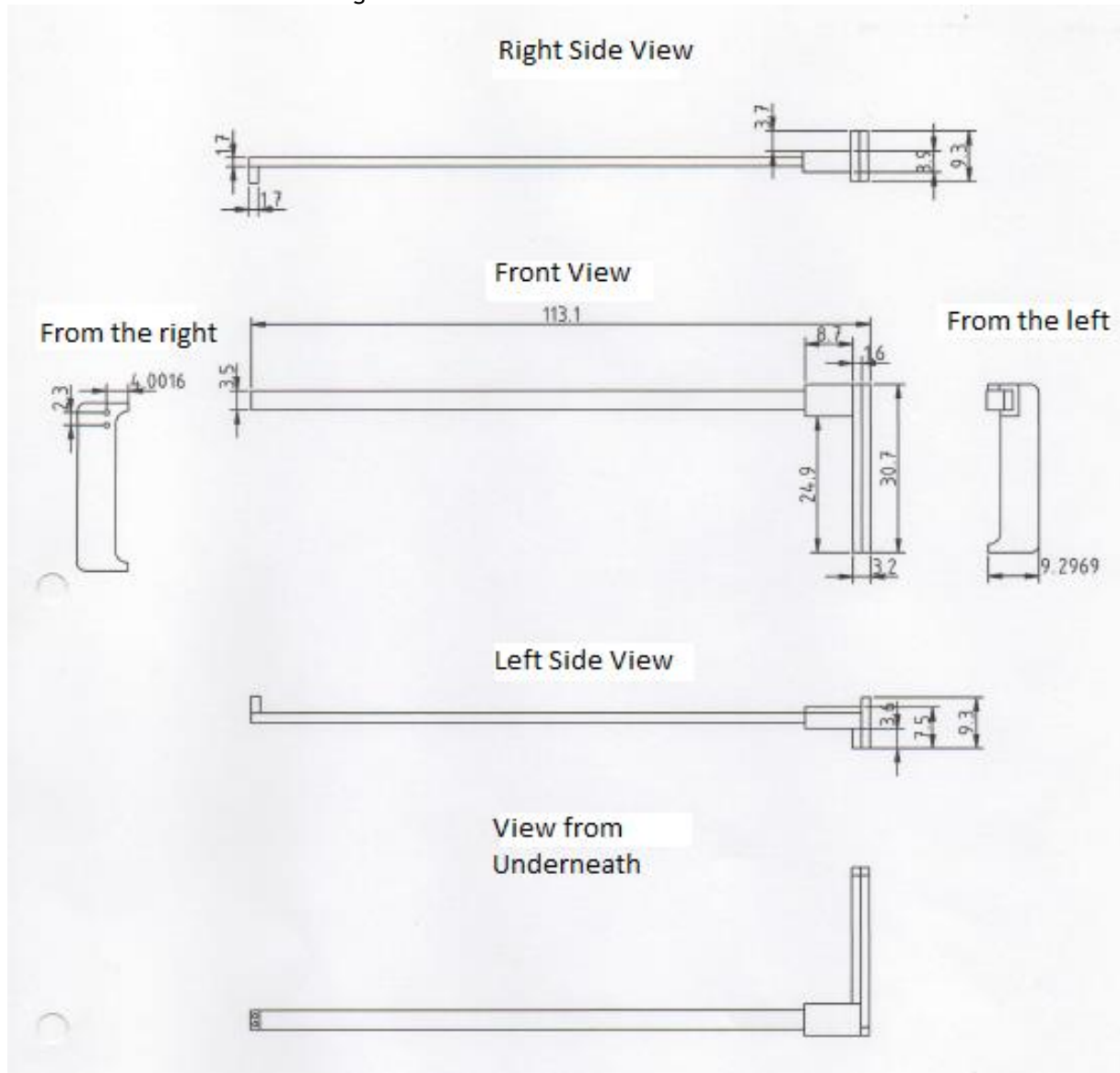
APPENDIX 1 : Wooden baby measuring rod



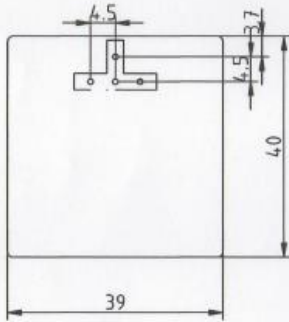
APPENDIX 2 : Wooden wall-fastened measuring rod



APPENDIX 3 : Wooden measuring rod on base frame



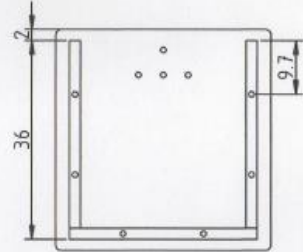
View from Above



Front View



View from Underneath



Side View

